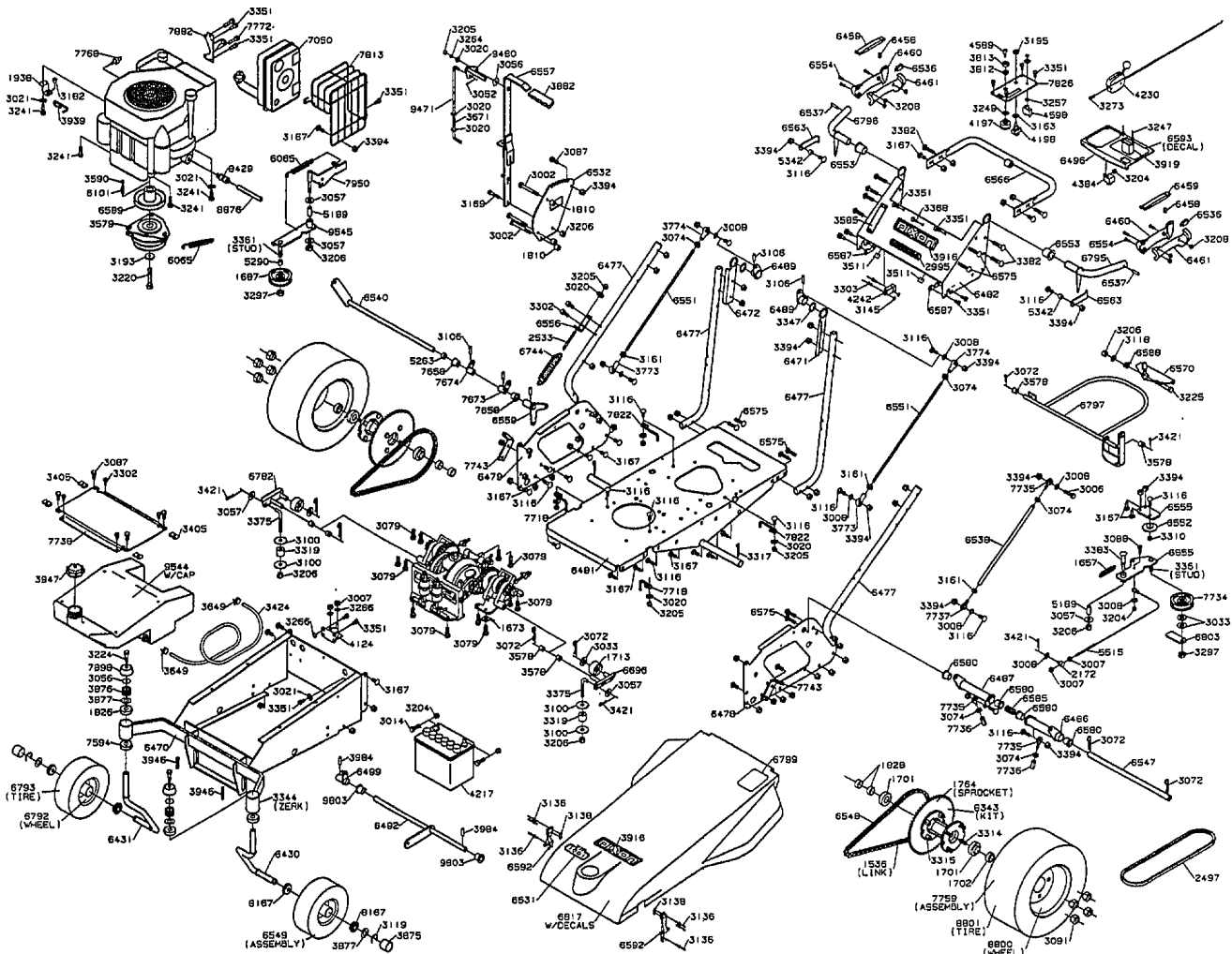
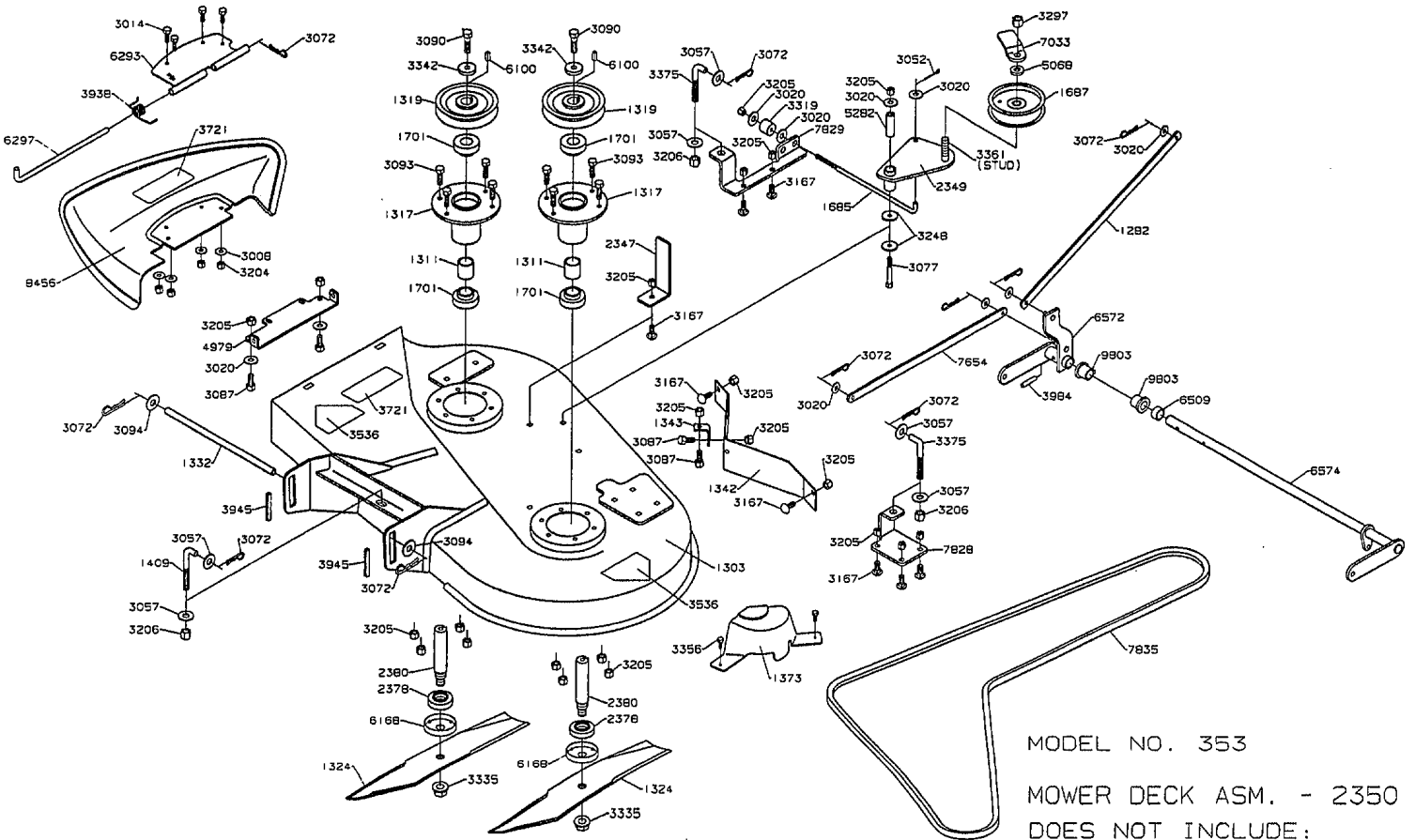


1997 Transaxle Assembly Model ZTR 1001



1997 Chassis Assembly Model ZTR 1001

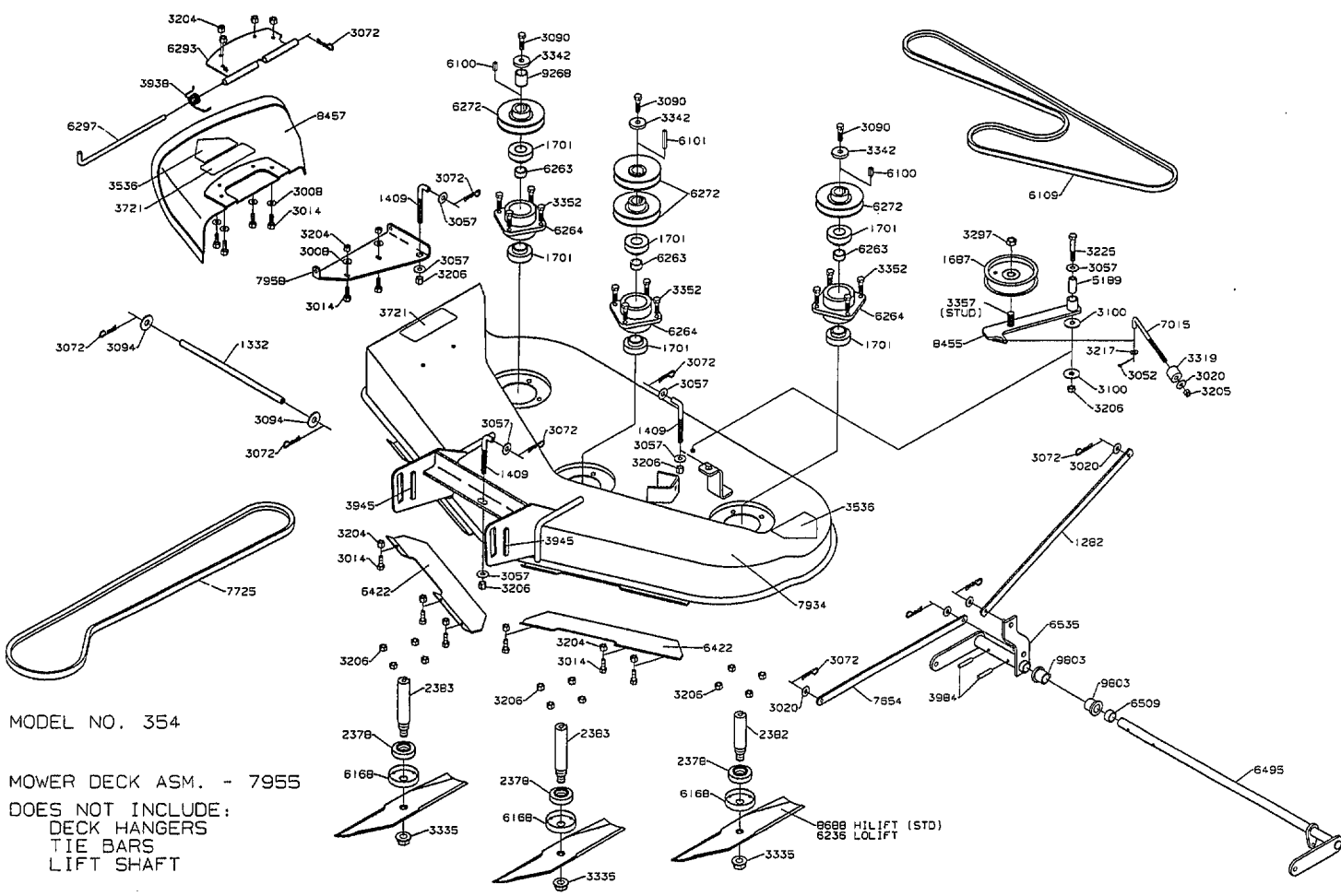
1997 36" Mower Deck Assembly Model ZTR 1001



MODEL NO. 353

MOWER DECK ASM. - 2350

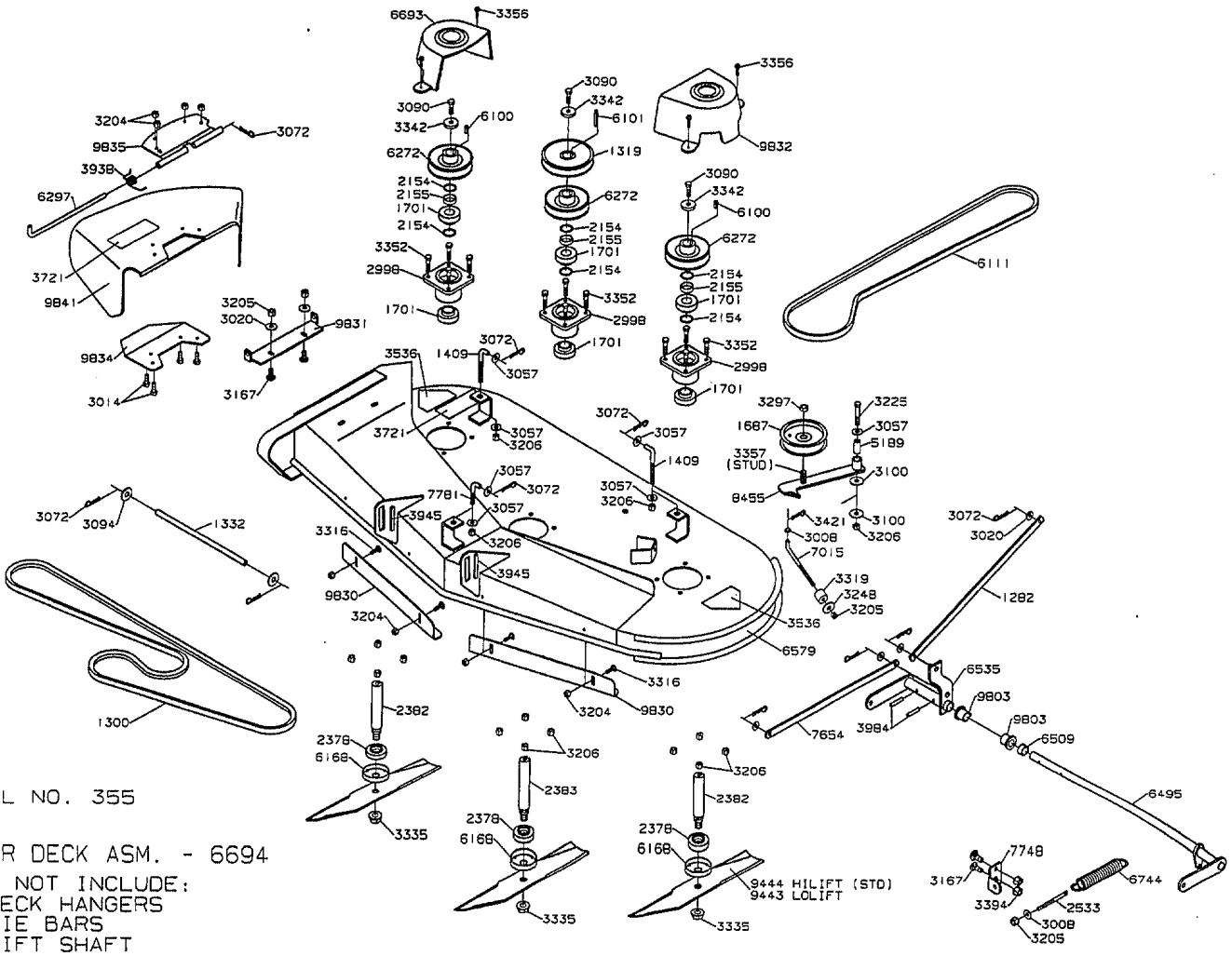
DOES NOT INCLUDE:
DECK HANGERS
TIE BARS
LIFT SHAFT



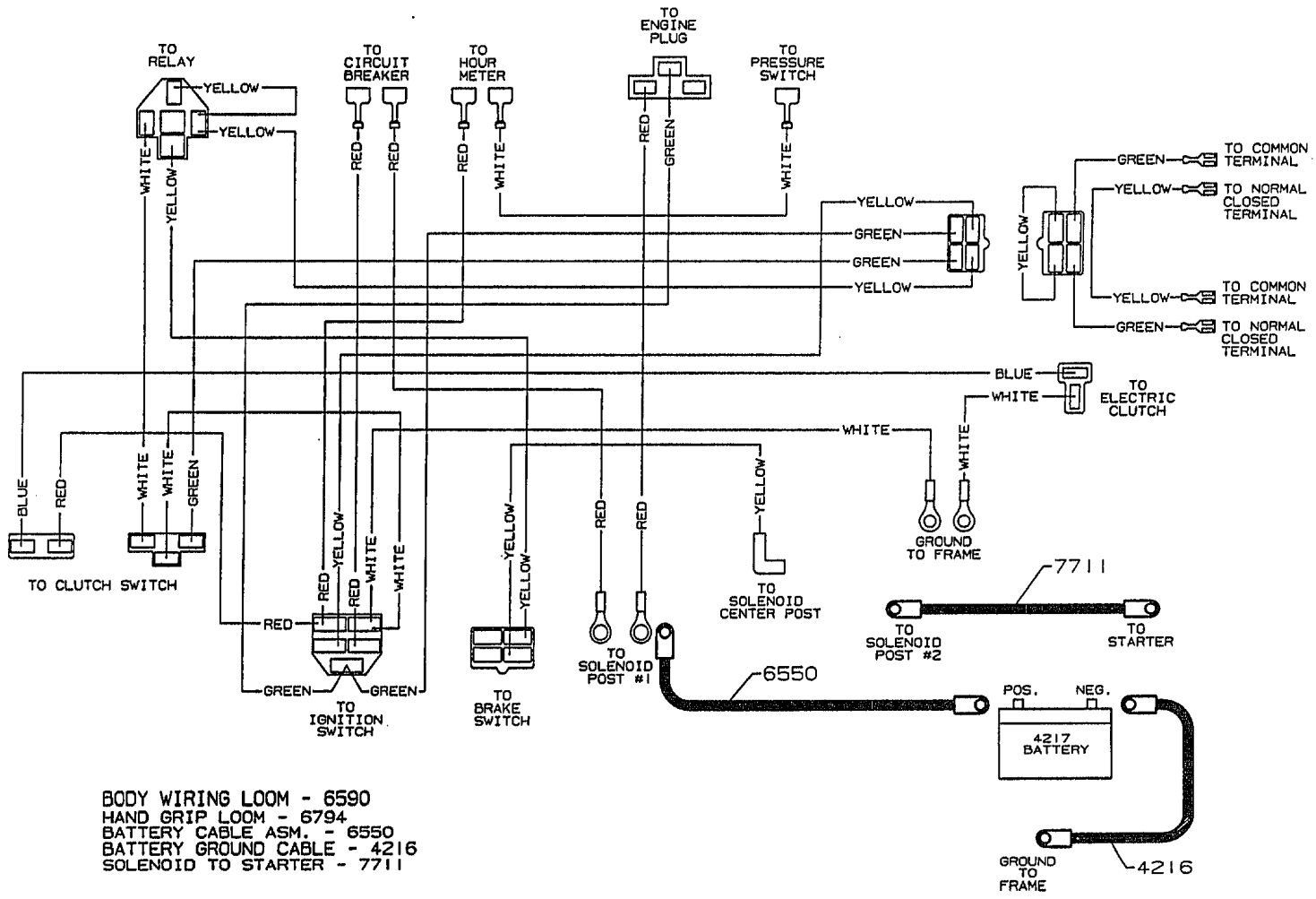
MODEL NO. 354
 MOWER DECK ASM. - 7955
 DOES NOT INCLUDE:
 DECK HANGERS
 TIE BARS
 LIFT SHAFT

1997 42" Mower Deck Assembly Model ZTR 1001

1997 50" Mower Deck Assembly Model ZTR 1001



1997 Wiring Assembly Model ZTR 1001



BODY WIRING LOOM - 6590
 HAND GRIP LOOM - 6794
 BATTERY CABLE ASM. - 6550
 BATTERY GROUND CABLE - 4216
 SOLENOID TO STARTER - 7711

WIRING KIT - 6805