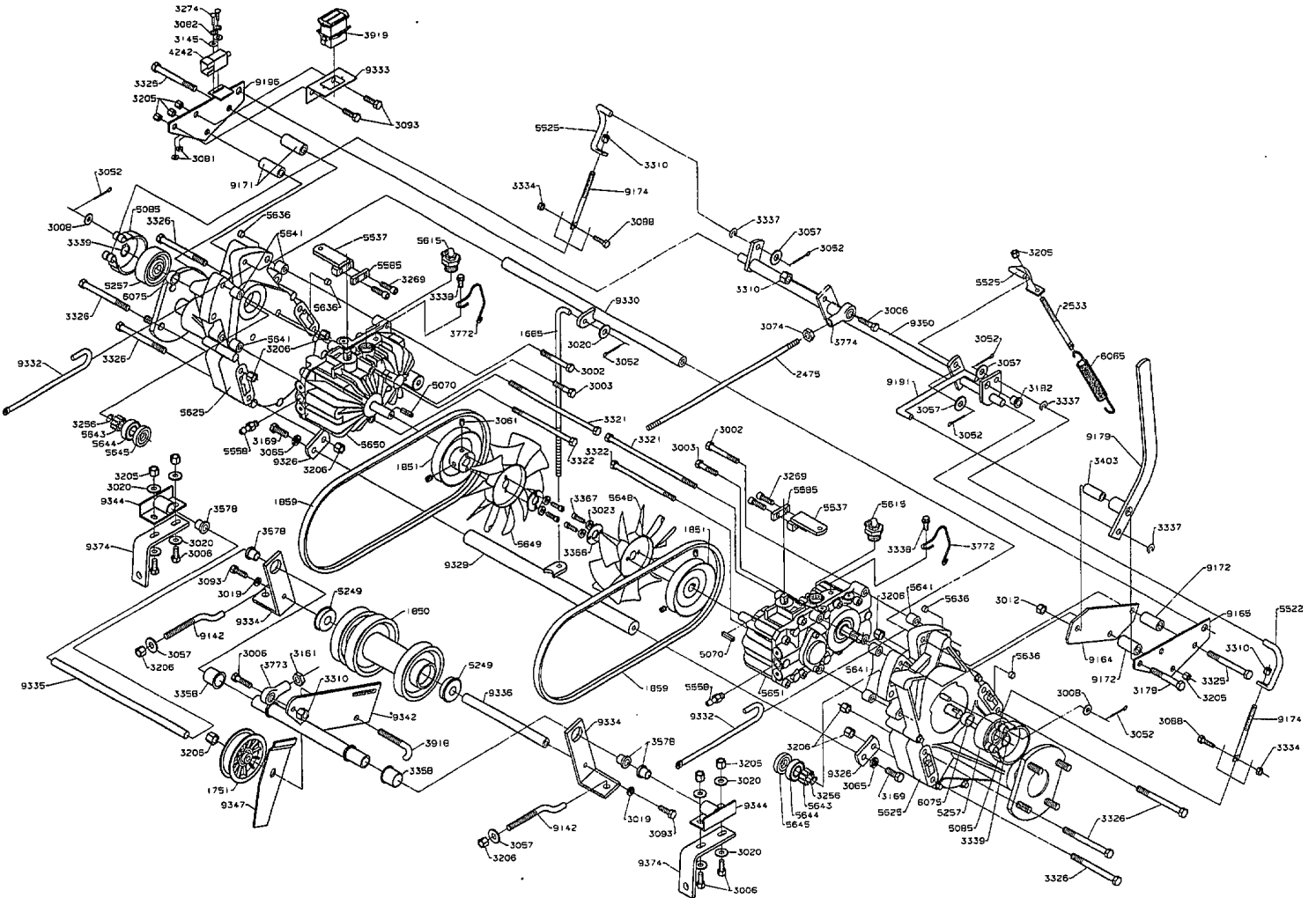
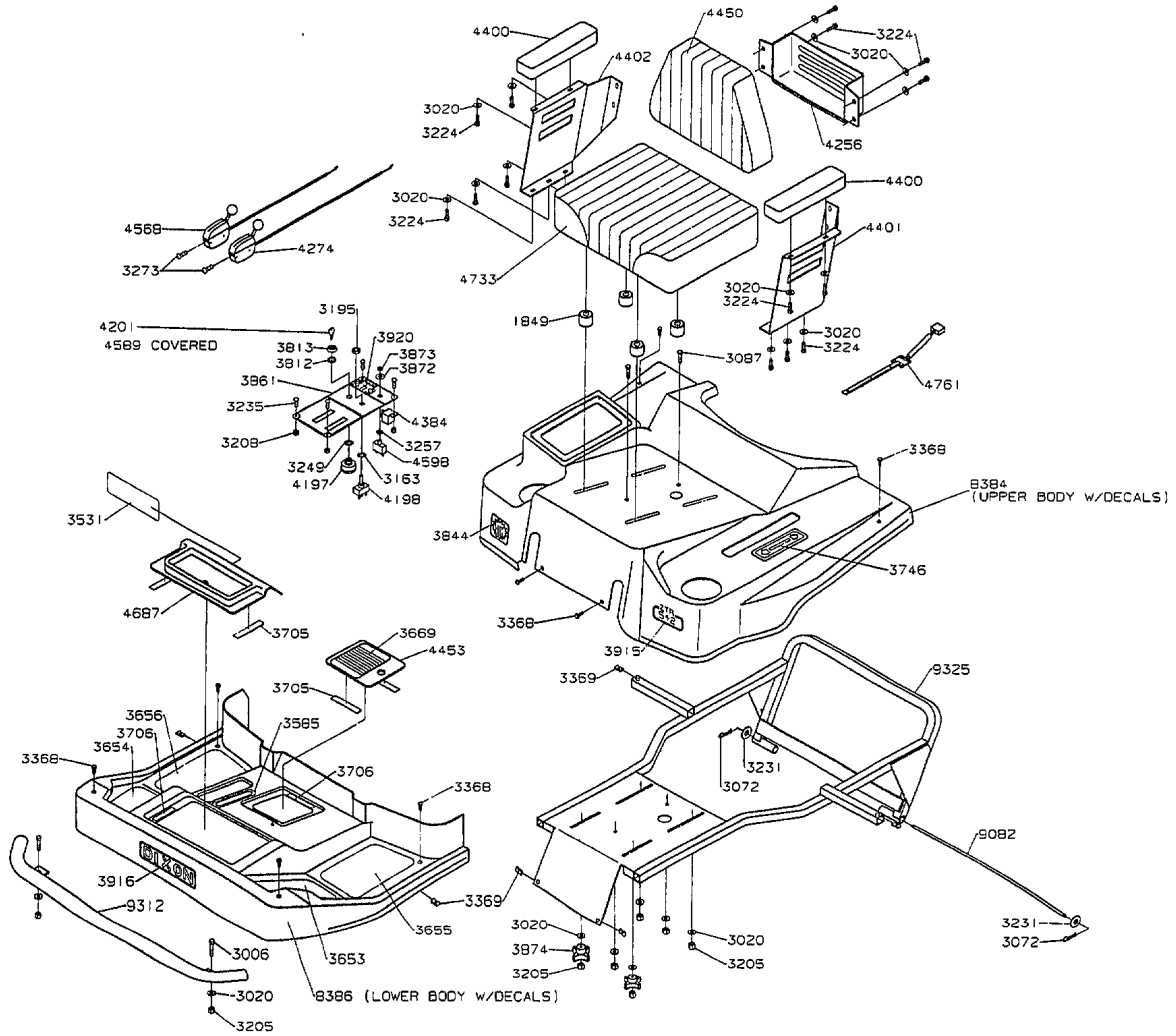
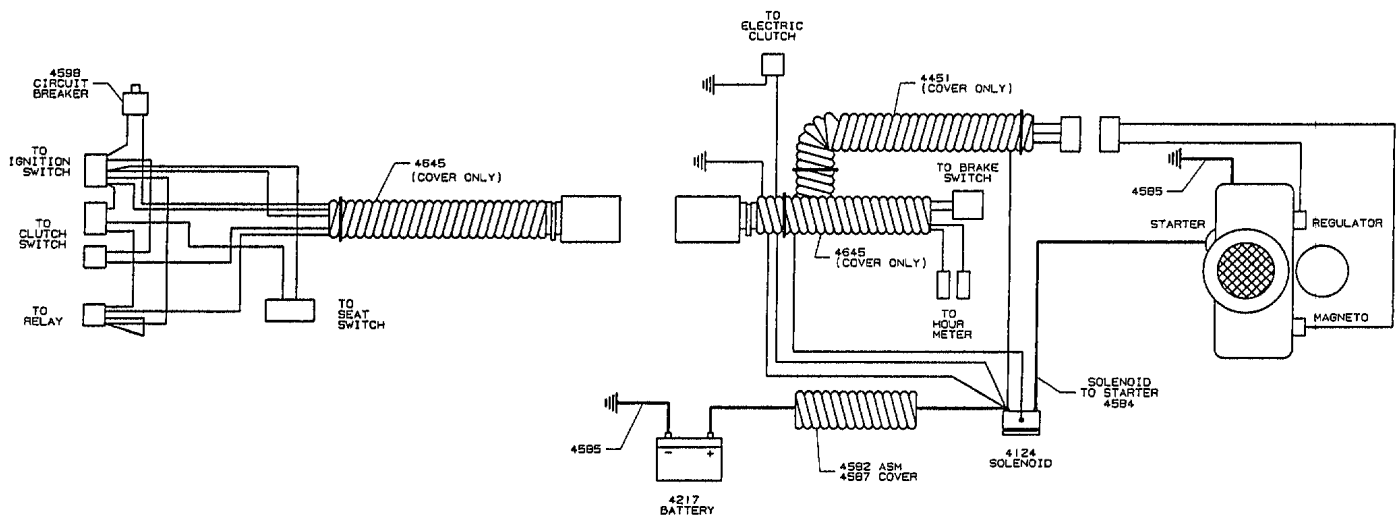


1992 Gearbox, Hydrostats & Drive Pulleys Assembly Model ZTR 542



1992 Body Assembly Model ZTR 542





UPPER WIRING LOOM - 4766

LOWER WIRING LOOM - 4767

WIRING KIT - 8395
(SEE ASSEMBLY BREAKDOWN)

1992 Wiring Assembly Model ZTR 542