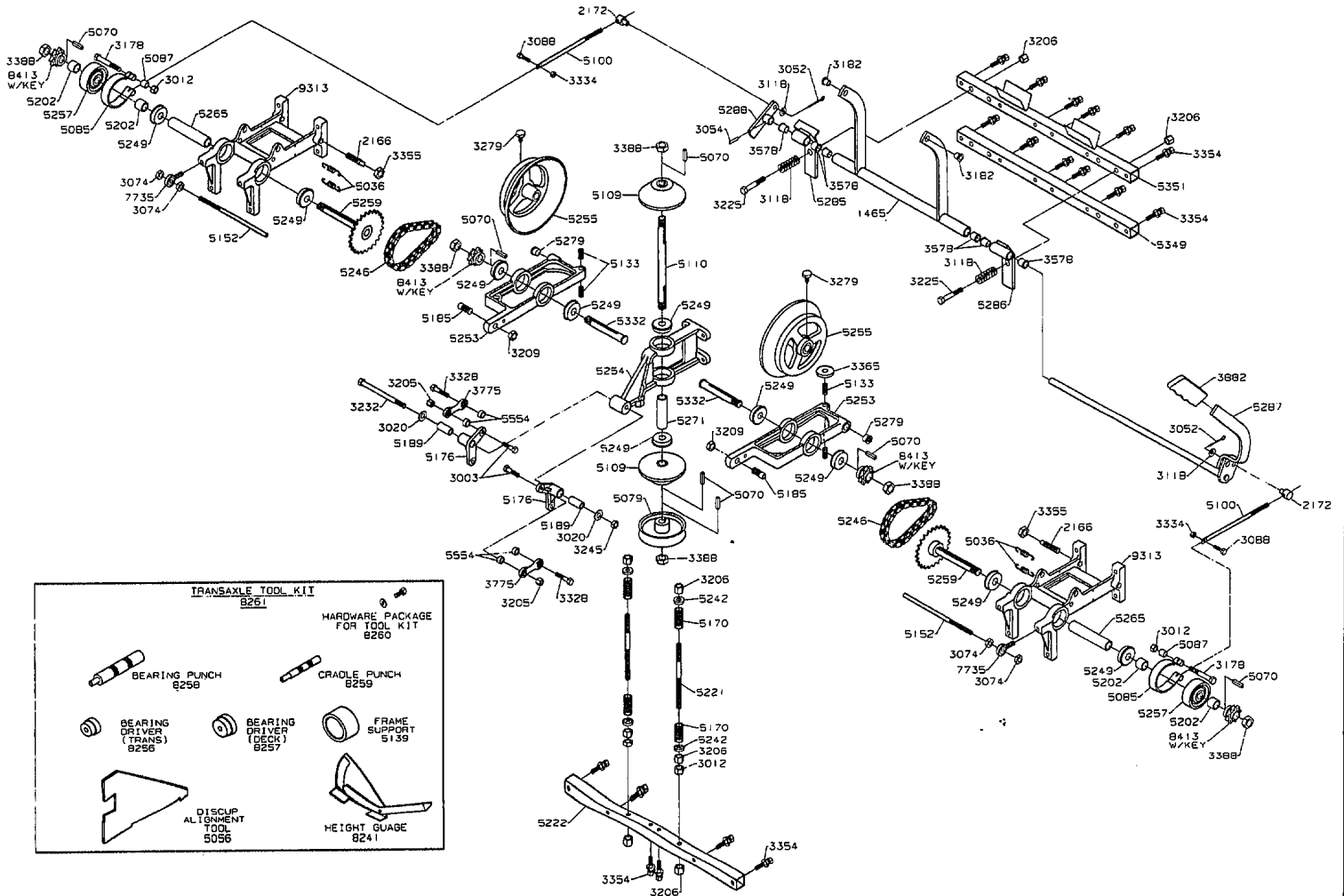


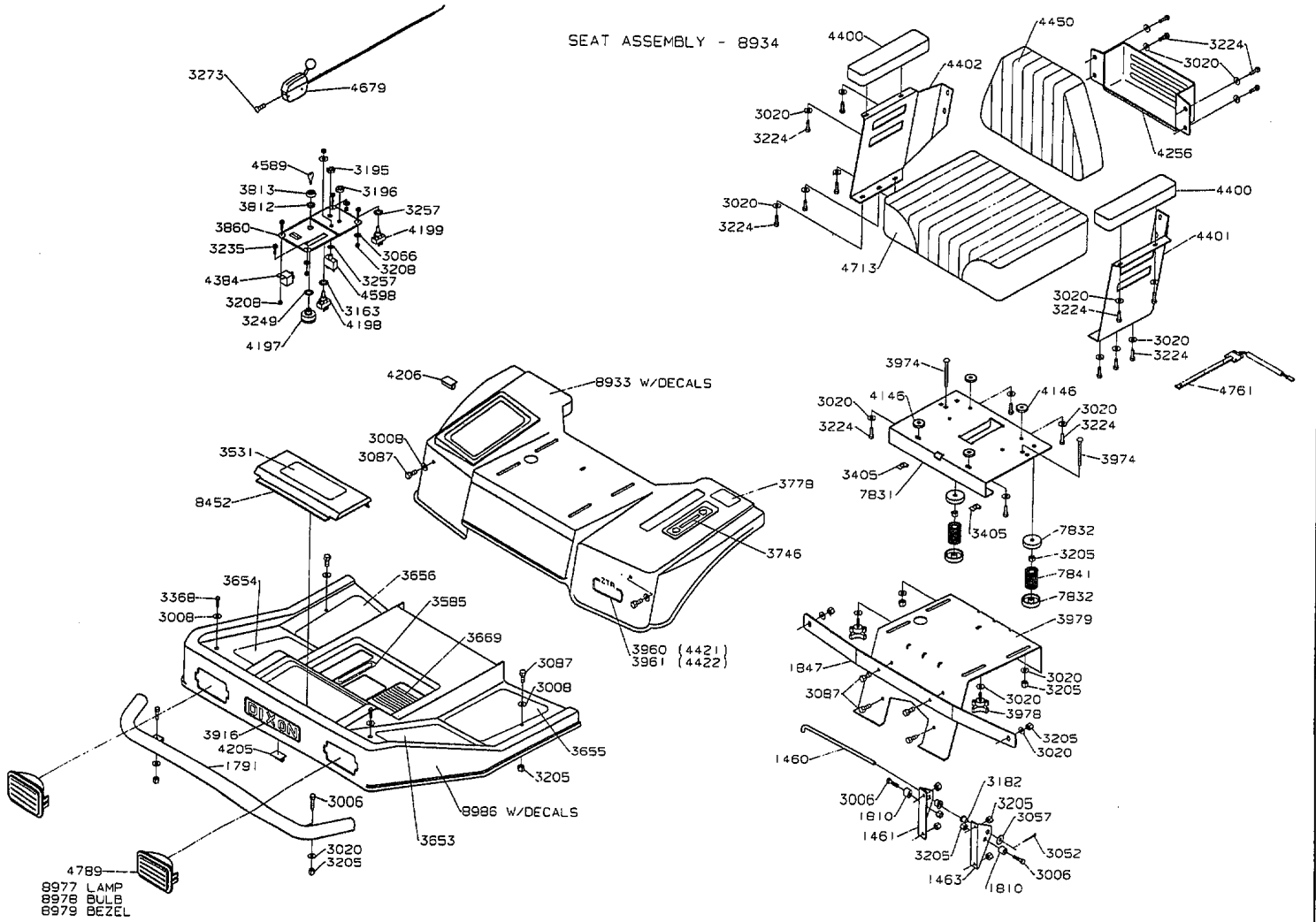
# 1996 Transaxle Assembly Model ZTR 4421 / ZTR 4422







# 1996 Body Assembly Model ZTR 4421 / ZTR 4422



# 1996 Wiring Assembly Model ZTR 4422

