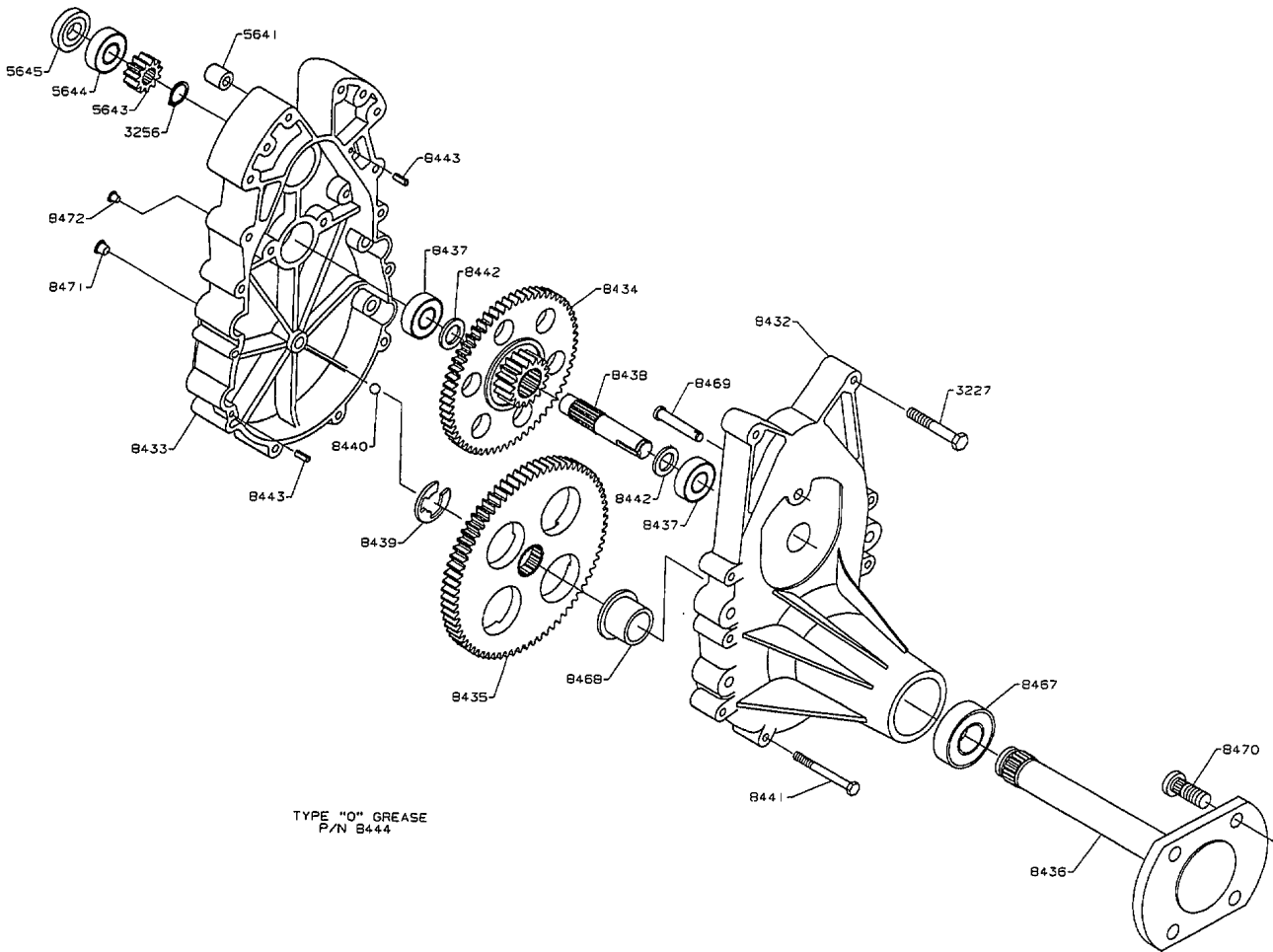
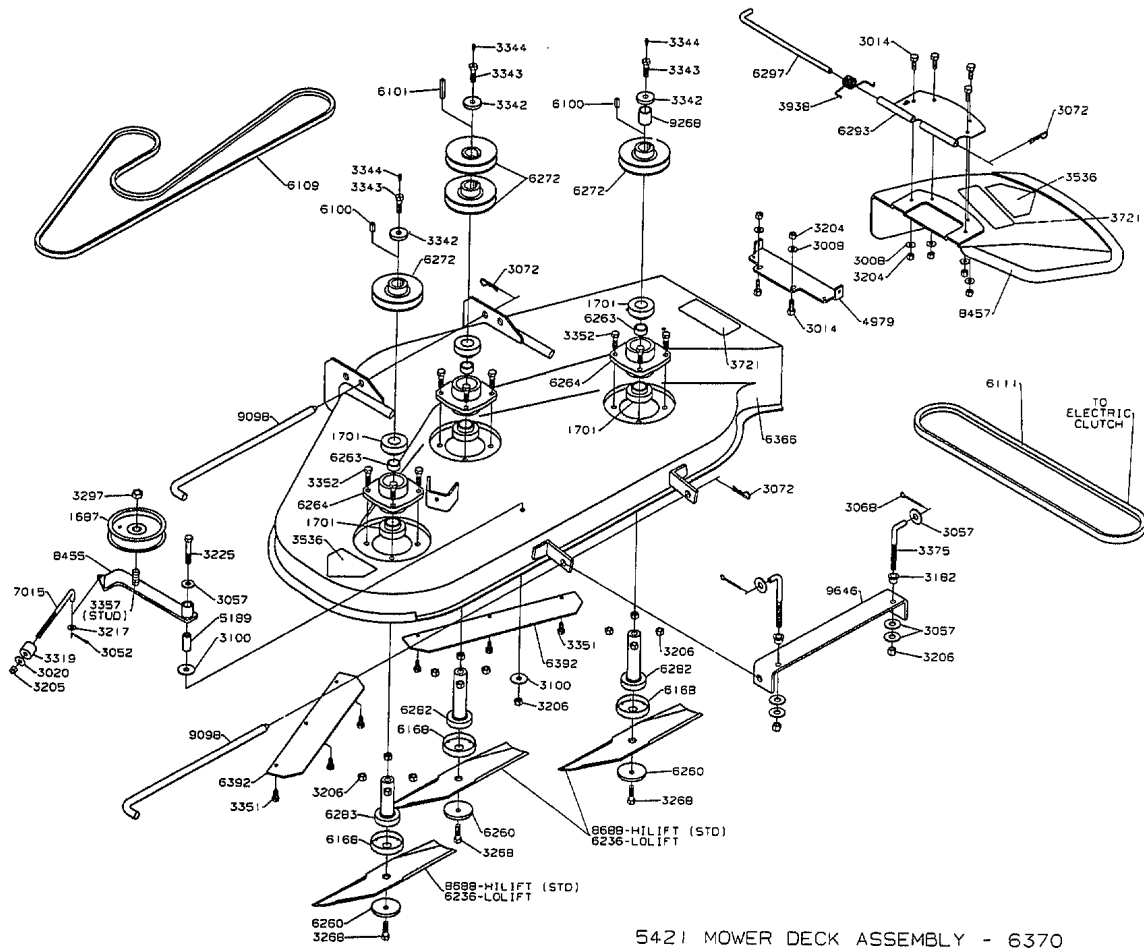


1994 Gearbox, Hydrostats & Drive Pulleys Assembly Model ZTR 5421



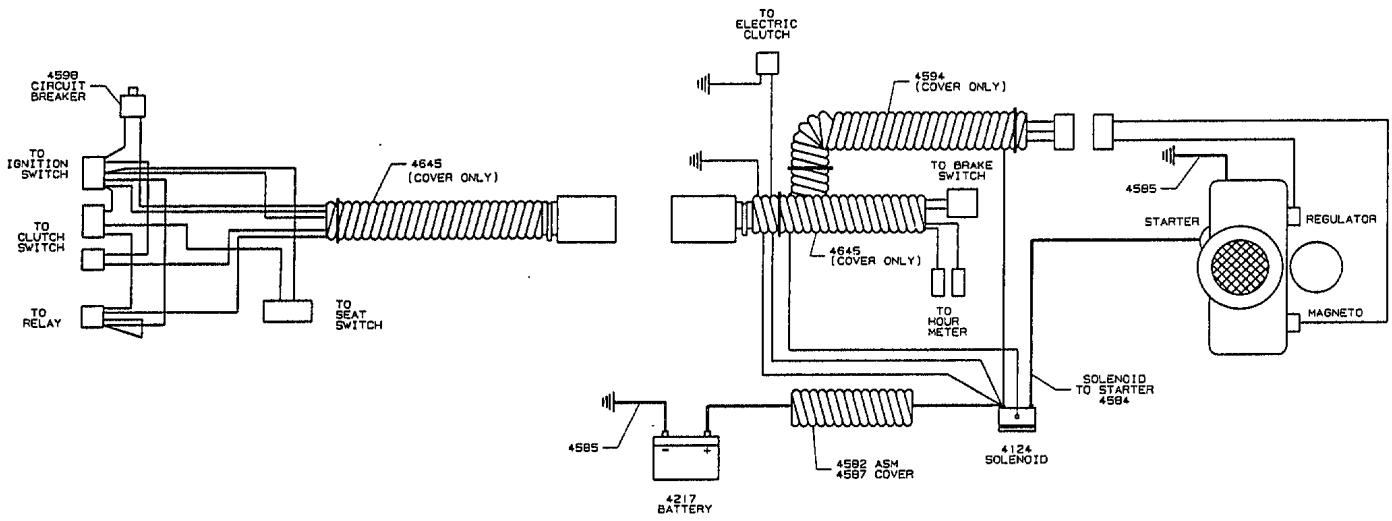
1994 5000 Series Gearbox Assembly



5421 MOWER DECK ASSEMBLY - 6370

1994 Mower Deck Assembly Model ZTR 5421

1994 Wiring Assembly Model ZTR 5421



UPPER WIRING LOOM - 4783

LOWER WIRING LOOM - 4784

WIRING KIT - 8395