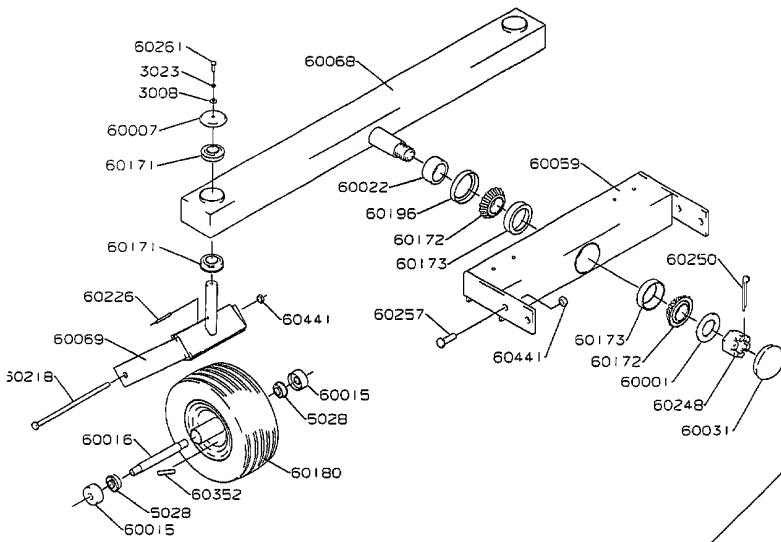


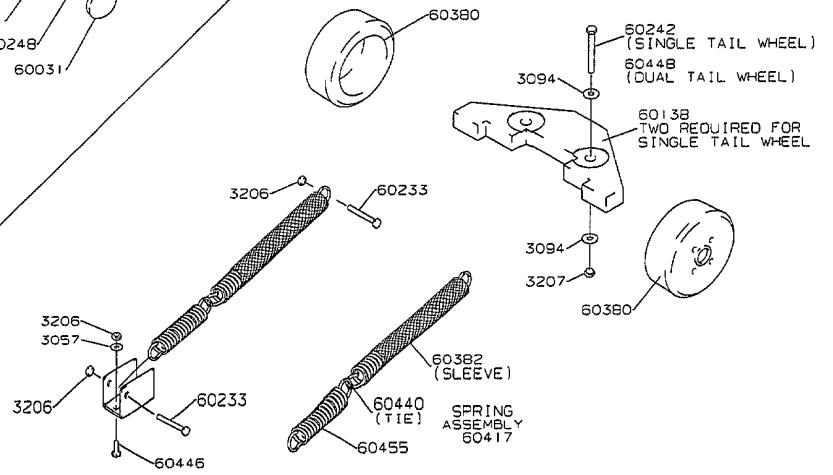
DIXON® ZTR®

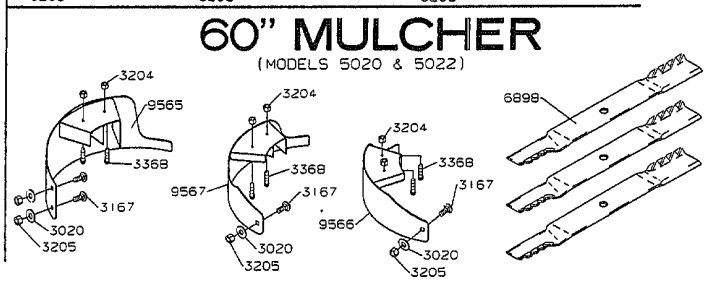
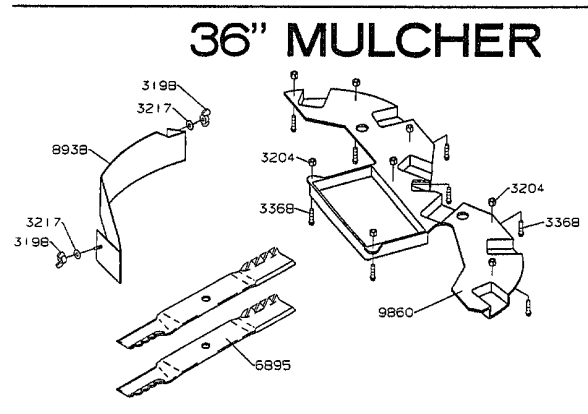
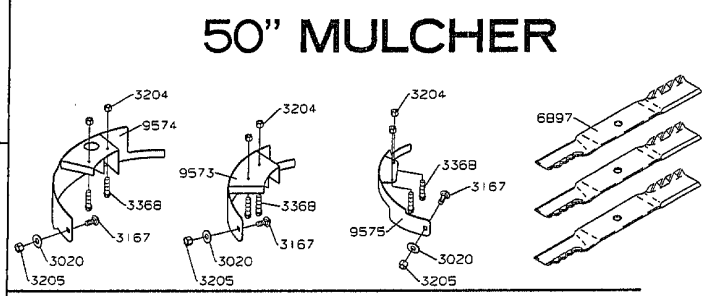
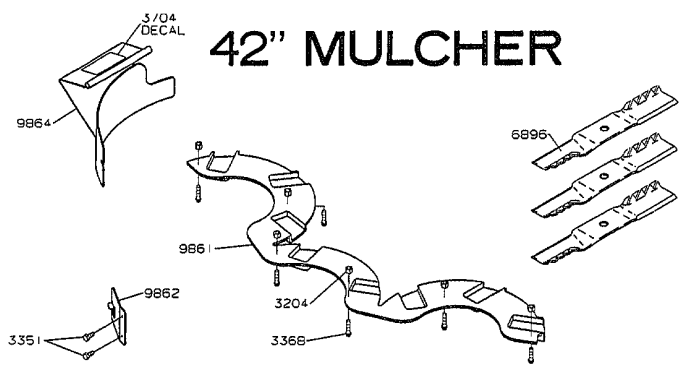
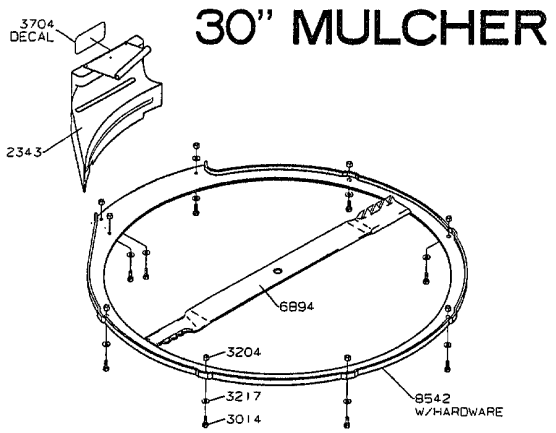
1998 GRASS CART

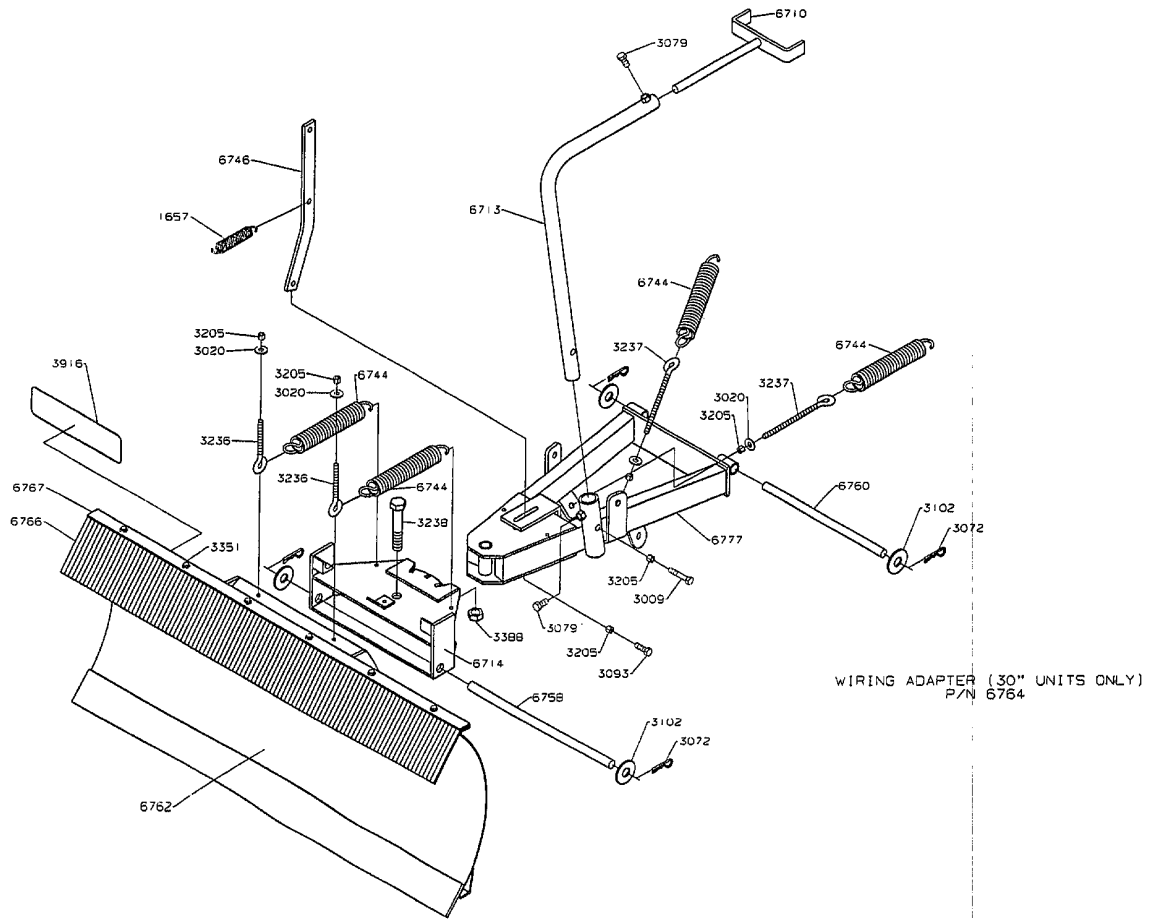


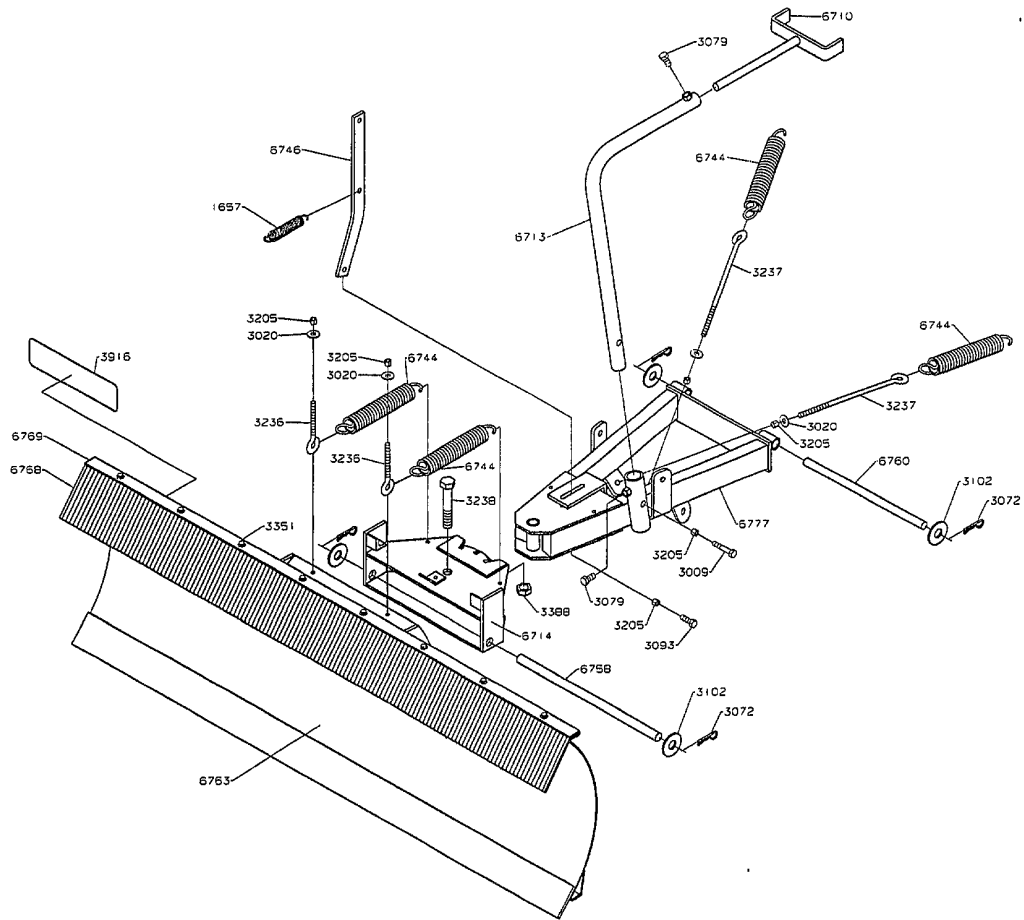
**SINGLE WHEEL TO
DUAL WHEEL KIT**

**TRACTION KIT
SINGLE TAIL WHEEL
AND
DUAL TAIL WHEEL**









DIXON® ZTR®

1998 4000 SERIES SNOW BLADE