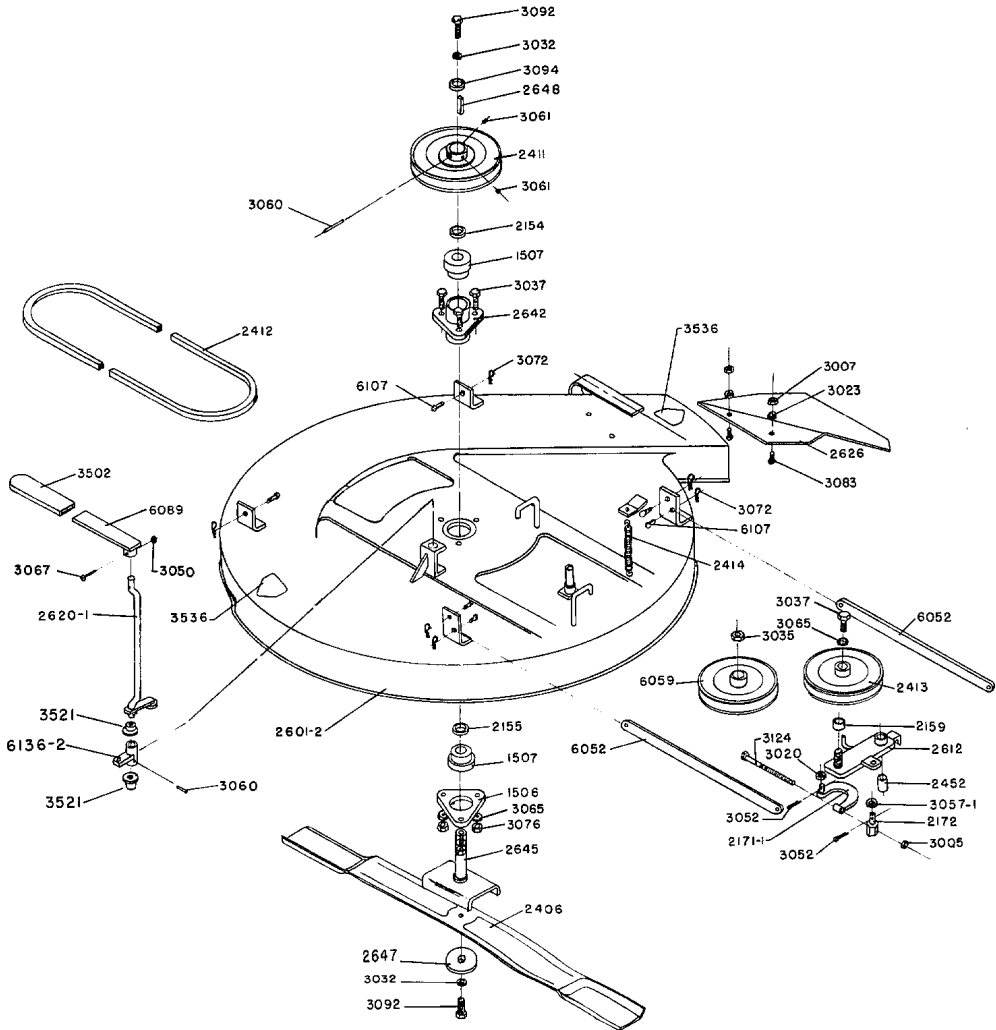
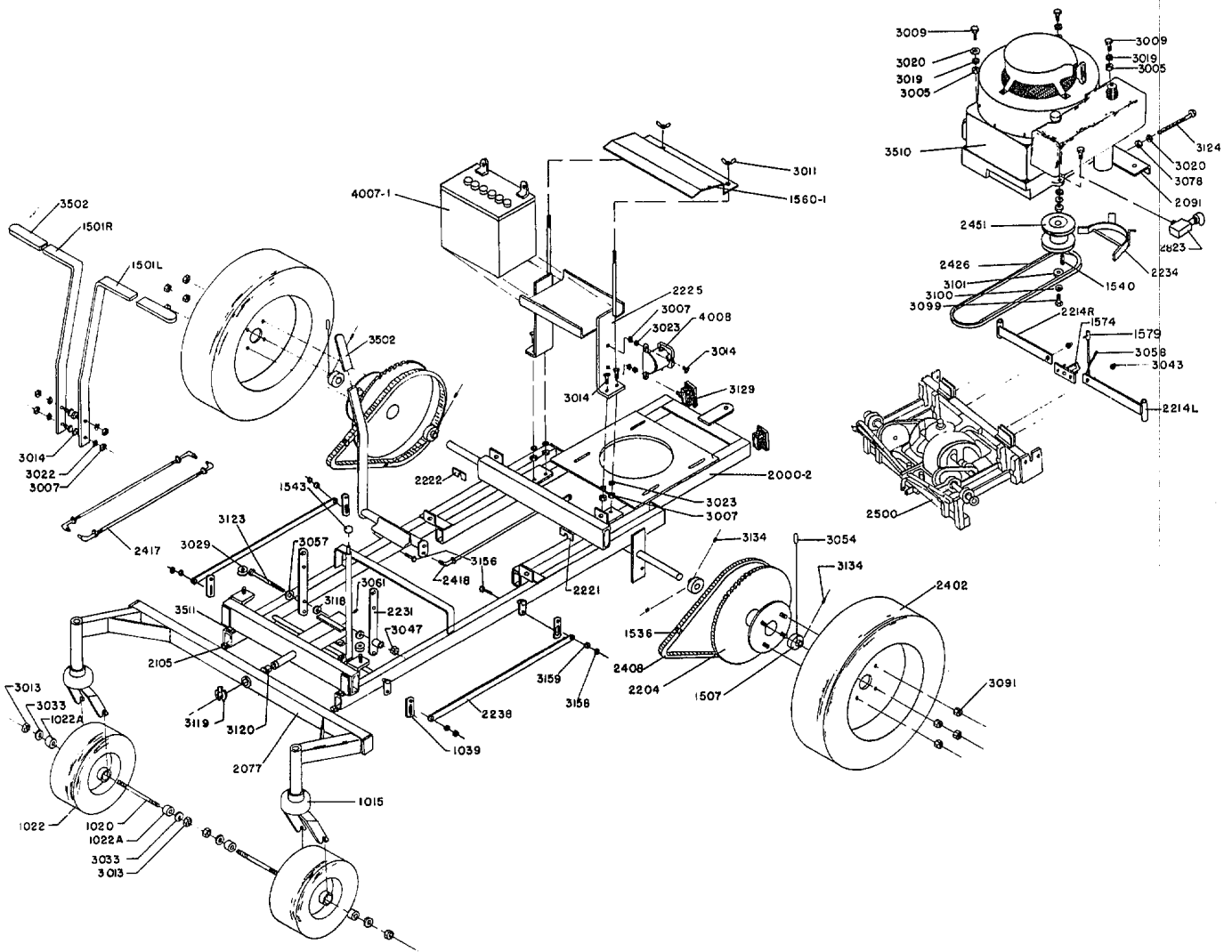


1982 30" Mower Deck Assembly

Part No. 2672





1982 30" Chassis Assembly

1982 30" Body Assembly

Part No. 8587

CAUTION!

Reversing the position of the Seat Mount Brackets (P/N 1645) will result in a reduction in longitudinal stability.

