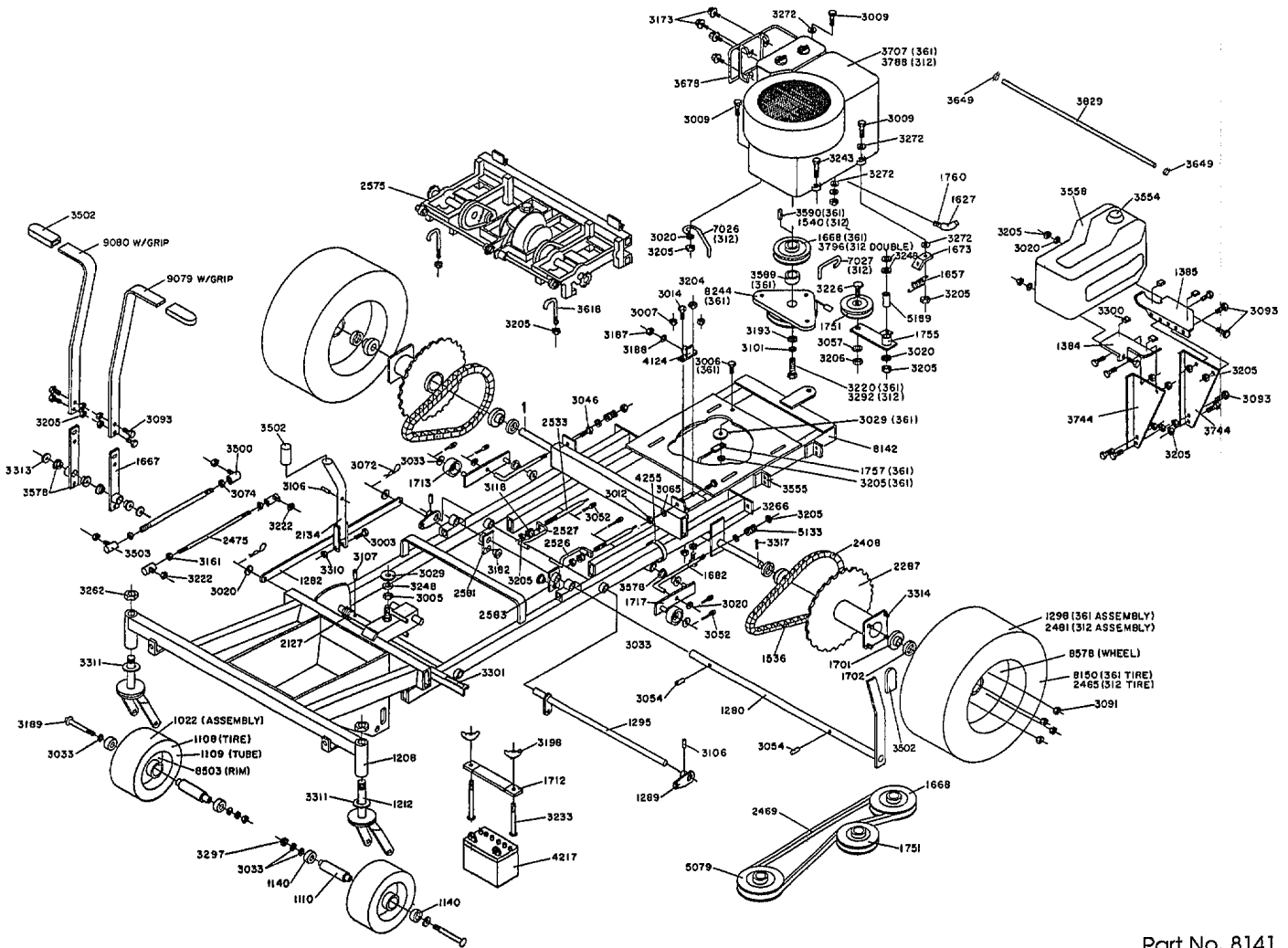
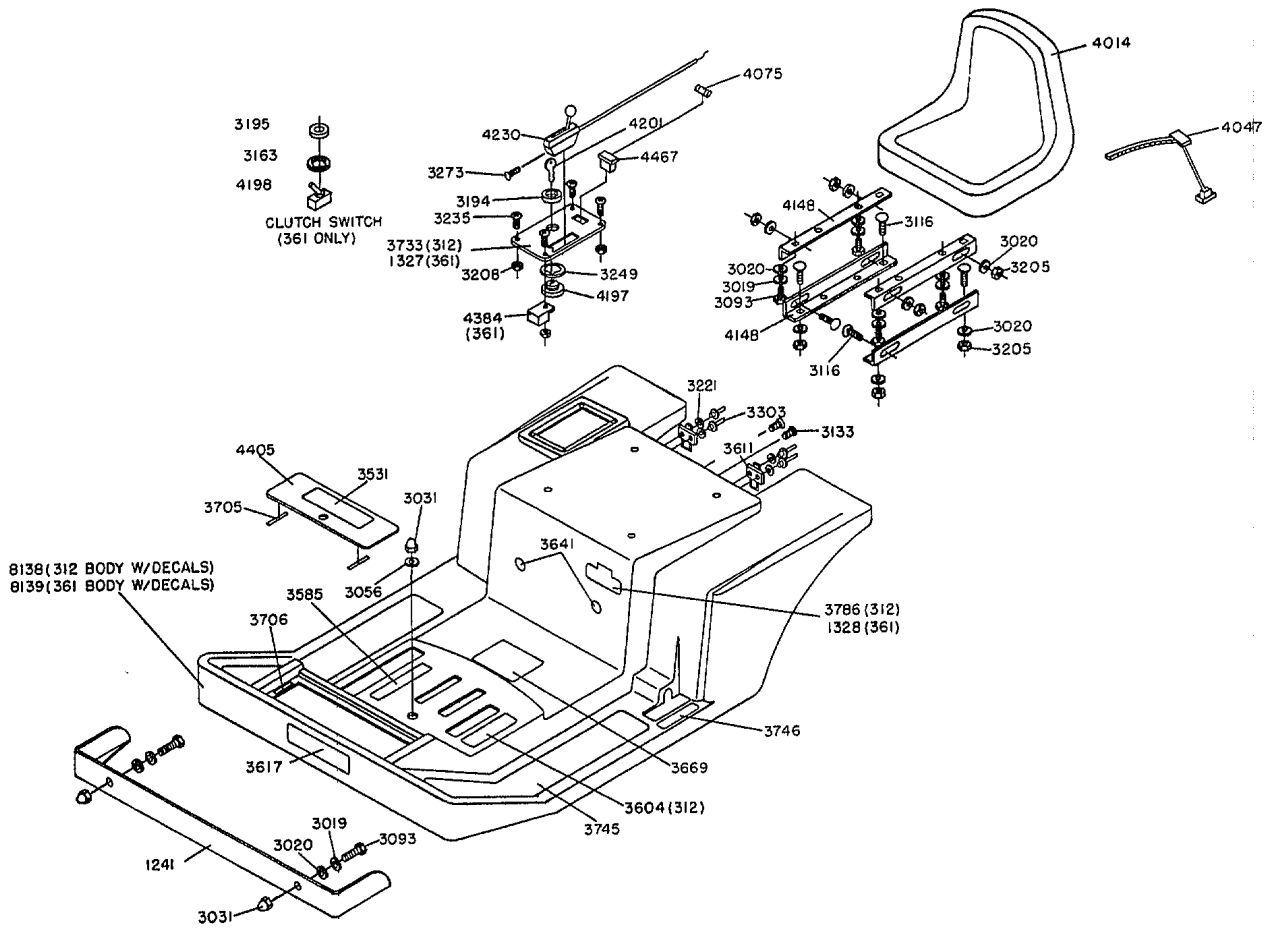


1990 Chassis Assembly Model ZTR 312

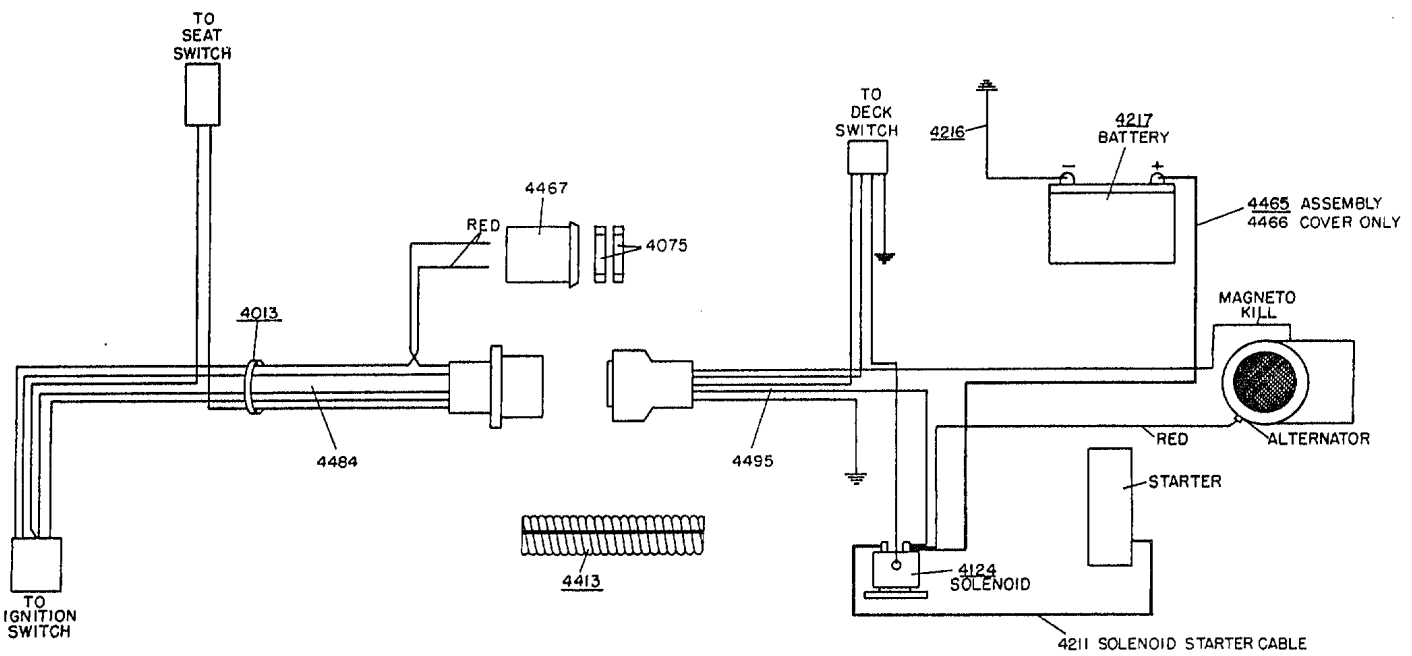


Part No. 8141



1990 Body Assembly Model ZTR 312

1990 Wiring Assembly Model ZTR 312



BODY WIRING LOOM - 4484
 REAR WIRING LOOM - 4495
 WIRING KIT (312)-8669
 (SEE ASSEMBLY BREAKDOWN)