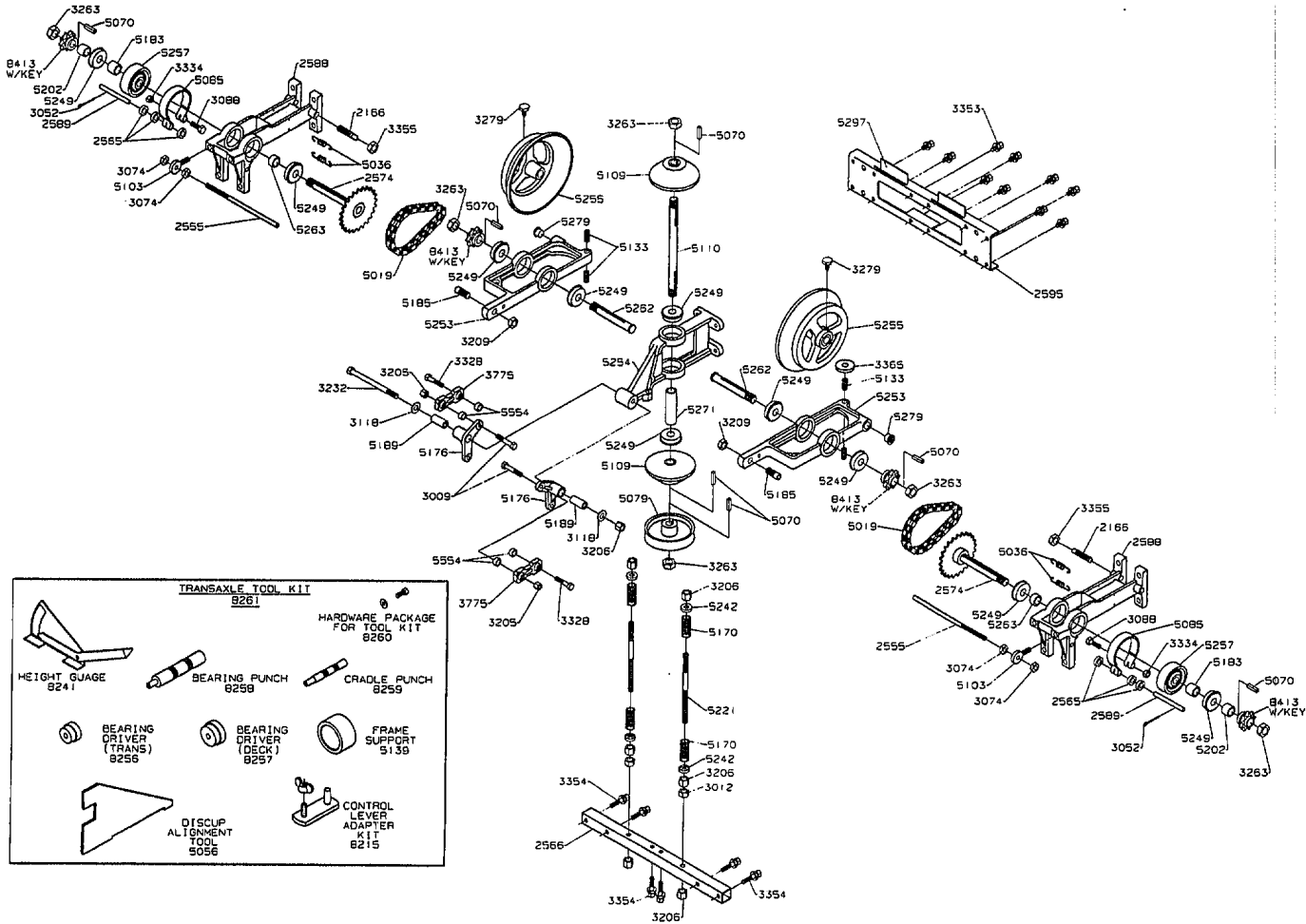
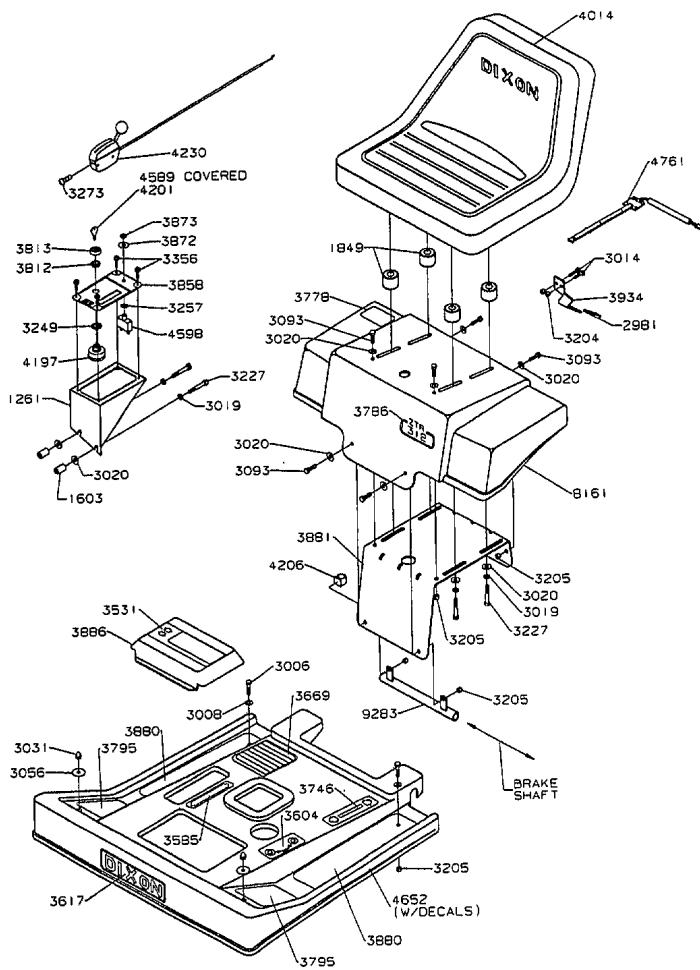


# 1993 Transaxle Assembly Model ZTR 312









1993 Body Assembly Model ZTR 312

# 1993 Wiring Assembly Model ZTR 312

